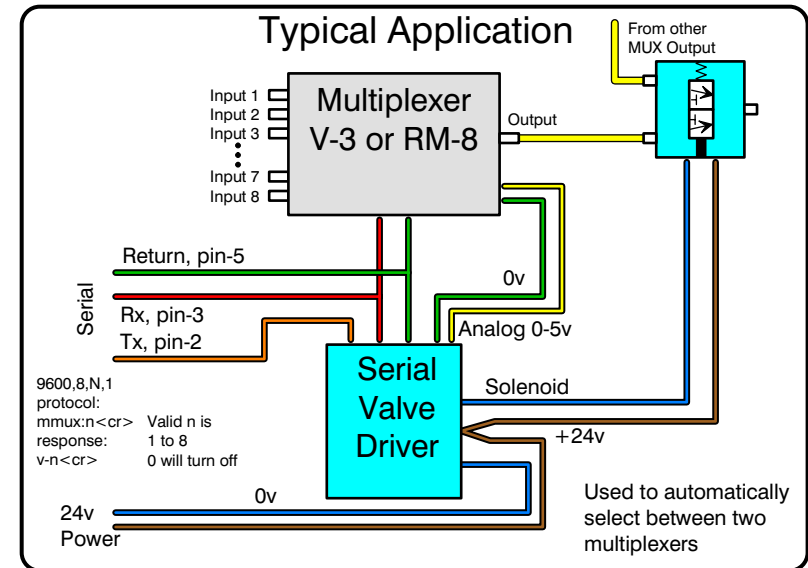
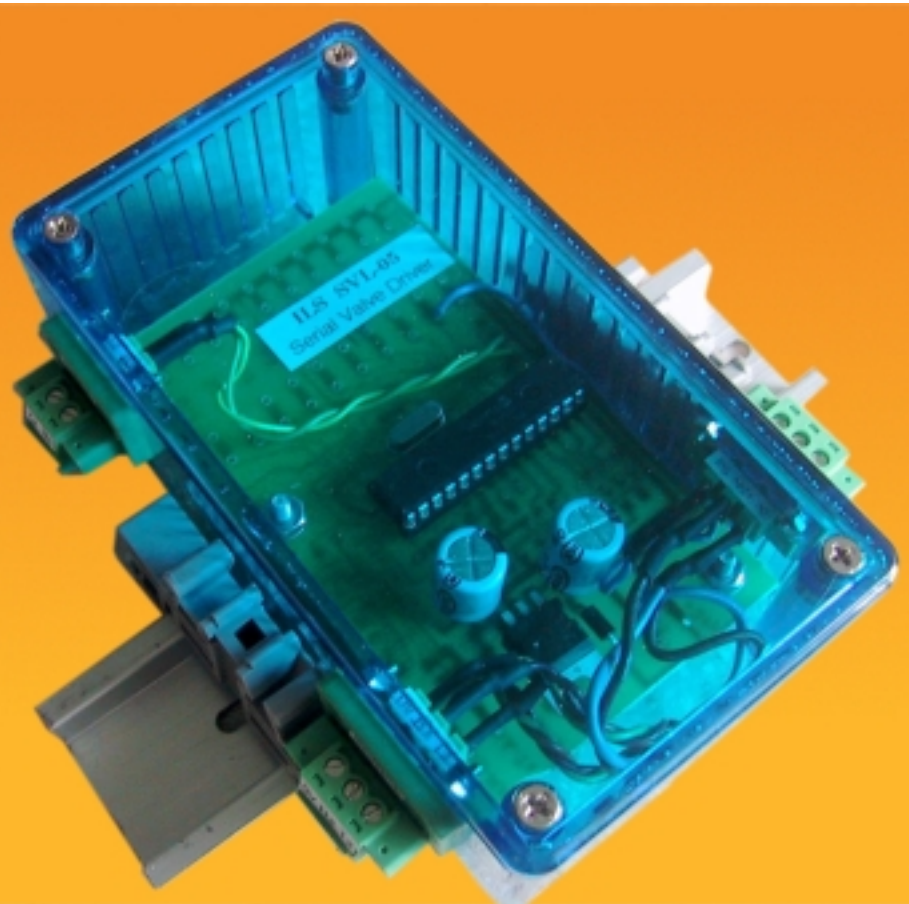


Serial Valve Driver

The serial valve driver is a microprocessor that monitors the serial commands to a Sable Systems Intelligent Multiplexer V-3 or RM-8. When a valid command is issued to the multiplexer, the valve driver will operate an output that drives a master selector valve. If a non-inclusive valve is selected, the valve driver will deactivate the selector valve. One half second after a valve command is received, the valve driver will measure the voltage from the multiplexer analog output to determine which valve the multiplexer has operated. The voltage is interpreted and a serial response message is issued back to the computer. The enclosure size is 2-5/8" w x 4-1/4 h x 1-5/8" d, and mounts onto a DIN rail. Connections are made with removable screw terminal blocks.



The multiplexer is a receive only serial device. It is wired in parallel with the Valve Driver. The Valve Driver monitors the serial line to determine what command was sent to the multiplexer. It also monitors the analog output from the multiplexer to determine what it did. A resistor ladder circuit in the DB15M plug is used to return the selected multiplexer's output.

Connections

