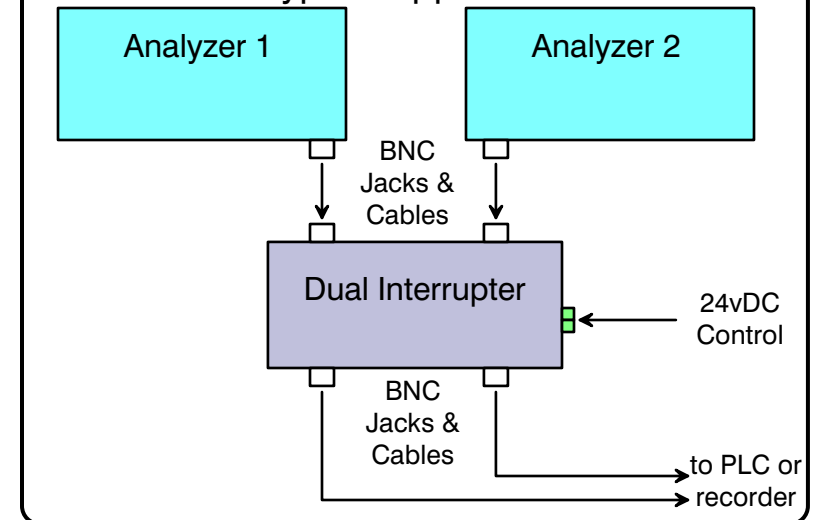


# Dual Analog Signal Interrupter

The signal interrupter can be used to stop a sensor output from reaching a monitoring instrument. The 0 to 5v signal from the analyzer is opened, and the inputs to the monitoring instrument are shorted to ground. This box has two identical circuits. The grounds are isolated from the case and from each other to minimize ground loops. The relay is 24v DC and consumes less than 10 milliamps. Enclosure size is 2.5"w x 4.0w x 1.5h.



## Typical Application



Inputs and outputs are standard BNC connectors. Finger tighten only, do not use pliers. The relay connection is a removable terminal strip. The relay is polarity sensitive. Positive on the left, negative on the right. Reverse polarity will simply not work, no damage will be done. The relay coil does not have a reverse diode. Protection must be provided by the user.

